

MicroEdge Plug-In LTE/4G Wi-Fi Tech-Note

Plug-in with Wi-Fi LTE/4G Connectivity

- Supports LTE (4G) FDD/TDD, UMTS DC-HSDPA/HSUPA/WCDMA, GSM GPRS/EDGE
- Worldwide connectivity
- Wi-Fi wireless networking
- GNSS for geolocation
- Digital I/O Integrated
- Compatible with operation of Corvina secure service



Highlights

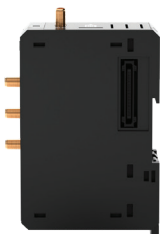
The MicroEdge Series Gateway can be expanded thanks to different modules, in order to enhance peculiarities and need for industrial work.

The MicroEdge Plug-In WiFi LTE/4G is a robust plug-in module designed to add Worldwide connectivity to systems based on MicroEdge Series. The device is a 4G wireless modem supporting LTE cellular networks and offers internet connectivity to systems.

The device is equipped with 2 Digital Input and 2 Digital Output, useful for simple applications directly linked with connectivity.

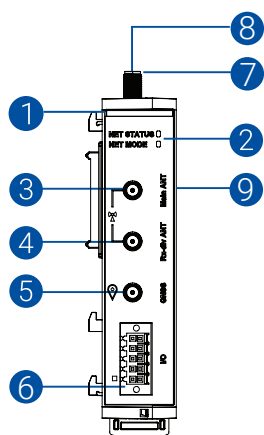
In combination with Corvina Remote Services MicroEdge Plug-In WiFi 4G can easily implement basic IIoT functions and establish a VPN to protect access to your field devices all over the world.

MicroEdge Plug-In LTE/4G Wi-Fi Tech-Note

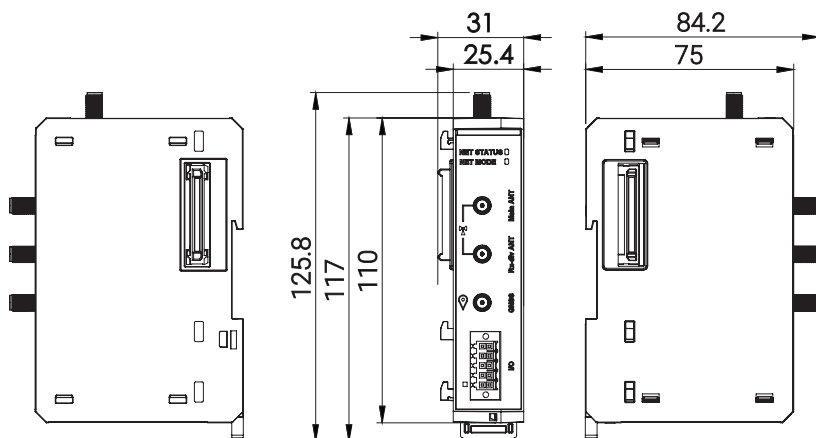


Cellular Technology	
Frequency Bands	LTE FDD: B1/B2/B3/B4/B5/B7/B8/B12/B13/B18/B19/B20/B26/B28 LTE TDD: B38/B39/B40/B41 WCDMA: B1/B2/B4/B5/B8/B6/B19 GSM: B2/B3/B5/B8
Transmission Data	LTE FDD: Max 150Mbps (DL)/Max 50Mbps (UL) LTE TDD: Max 130Mbps (DL)/Max 35Mbps (UL) UMTS: DC-HSDPA: Max 42Mbps (DL) UMTS: HSUPA: Max 5.76Mbps (UL) UMTS: WCDMA: Max 384Kbps (DL)/Max 384Kbps (UL) GSM: EDGE: Max 296Kbps (DL)/Max 236.8Kbps (UL) GSM: GPRS: Max 107Kbps (DL)/Max 85.6Kbps (UL)
Power output	Class 3 (23dBm±2dB) for LTE FDD Class 3 (23dBm±2dB) for LTE TDD Class 3 (24dBm+1/-3dB) for TD-SCDMA Class 3 (24dBm+1/-3dB) for WCDMA Class E2 (27dBm±3dB) for EDGE 850/900MHz Class E2 (26dBm+3/-4dB) for EDGE 1800/1900MHz Class 4 (33dBm±2dB) for GSM 850/900MHz Class 1 (30dBm±2dB) for GSM 1800/1900MHz
Interface	
Antenna	50Ω, SMA and RP-SMA Female connectors
Digital inputs	2 (24Vdc with optical isolation)
Digital outputs	2 (SSR with optical isolation)
LED	1 RGB, 2 green (net status)
SIM slot	microSIM
Wi-Fi	IEEE Dual Band 802.11a/b/g/n/ac
GNSS	GPS, GLONASS, BeiDou/Compass, Galileo, QZSS
Environment Conditions	
Operating Temperature	-20°C to +60°C
Storage Temperature	-30°C to +70°C
Operating / Storage Humidity	5 - 85% RH, non condensing
Protection Class	IP20
Dimensions and Weight	
WxHxD	110 + 7 + 8.8 mm (4.33" + 0.28" + 0.35")
Width (W)	25.4 mm + 5.6 mm (1" + 0.22")
Depth (D)	75 mm + 9.2 mm (2.95" + 0.36")
Weight	0.140 Kg
Approvals	
CE	Radio Equipment Directive 2014/53/EU (RED)
FCC	FCC Part 15 Subpart B Class A / FCC Part 15 Subpart C Class A
IC	ICES-003 ISSUE 7 CLASS A / IC RSS-247 Issue 3 and RSS-Gen Issue 5
UL*	UL61010-1 / UL61010-2-201
RCM	Yes

* Planned



1. LED Indicator: Device status
2. LED Indicators: Net status/Net mode
3. LTE Main Antenna
4. LTE RX Diversity Antenna
5. GNSS Antenna
6. Inputs / Outputs
7. Wi-Fi Antenna
8. microSIM Slot
9. Expansion slots for plug-in modules



Ordering Information

Model	Part Number	Description
MicroEdge Plug-In Wi-Fi LTE/4G	105006700U-0000	MicroEdge Plug-In Wi-Fi LTE/4G XMP-010